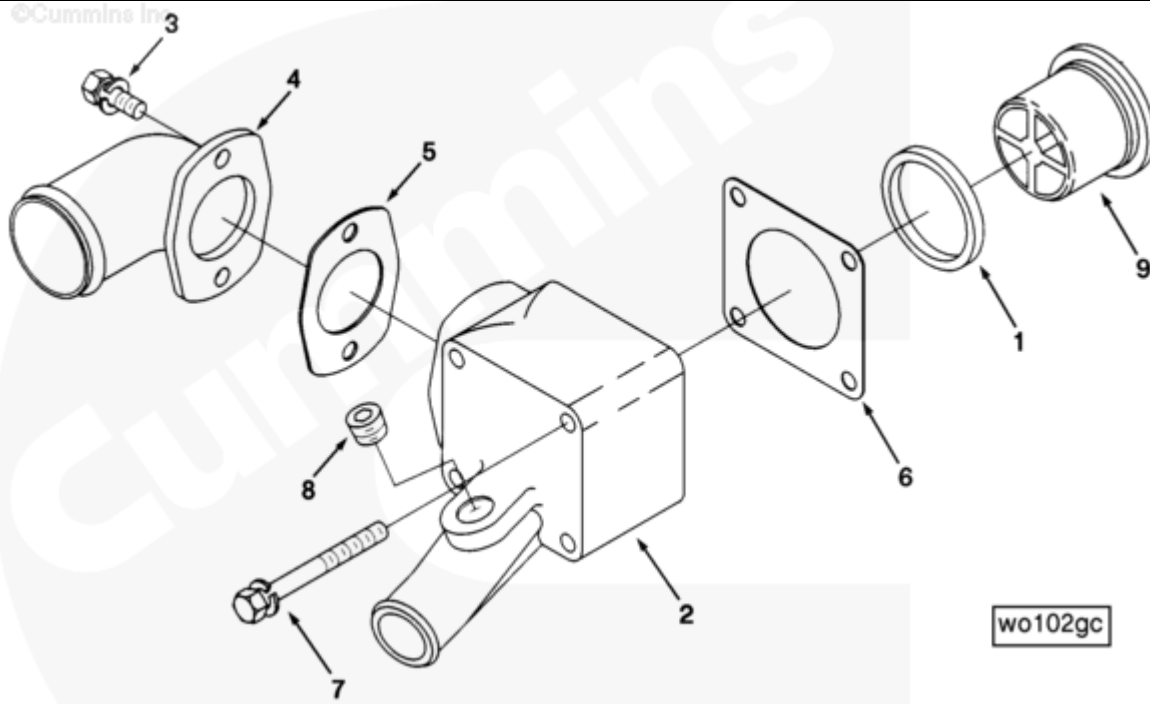




## Parts Catalog - Option Detail

Electronic Parts Catalog - Option Detail				
Option	Group	Graphic	Film Card	Date
WO1004	08.07.1	wo102gc	F	15-MAR-94
<b>Engines</b>	NH/NT 855, NT495, NT743, NTA855 N106			



[SMALL](#) | [MEDIUM](#) | [LARGE](#)

Cart	Ref No	Part Number	Part Description	Required	Remarks
<a href="#">View My Cart</a>					
		<a href="#">WO1004</a>	Water Outlet Connection		
					Water Outlet Connection
					90 degree type, 2.25 inches
					outside diameter (57mm) water
					outlet connection mounted to
					right side of side outlet
					thermostat housing and
					pointing forward. Includes
					180-200degrees F. (82-93

					degrees C) thermostat used
					with heat exchanger cooling.
<input type="checkbox"/>	1	<a href="#">186780</a>	Thermostat Seal	1	
	2	<a href="#">3013610</a>	Thermostat Housing	1	
<input type="checkbox"/>	3	<a href="#">3010595</a>	Captive Washer Cap Screw	2	3/8 - 16 X 1 in.
<input type="checkbox"/>	4	<a href="#">3018764</a>	Radiator Connection	1	
<input type="checkbox"/>	5	<a href="#">3019158</a>	Radiator Gasket	1	
<input type="checkbox"/>	6	<a href="#">208128</a>	Thermostat Housing Gasket	1	
<input type="checkbox"/>	7	<a href="#">3010597</a>	Captive Washer Cap Screw	4	3/8 - 16 X 3 3/4 in.
<input type="checkbox"/>	8	<a href="#">3013786</a>	Pipe Plug	1	3/8 NPT.
<input type="checkbox"/>	9	<a href="#">3076489</a>	Thermostat	1	